

 **Delka**



## **PULL&GO**

Armadi in metallo

Metal cabinets



# PULL&GO

Armadi in metallo / Metal cabinets

## La giusta piega alle cose

Linee semplici che si arricchiscono  
di dettagli dal design originale e allo  
stesso tempo funzionale.

## Right fold to things

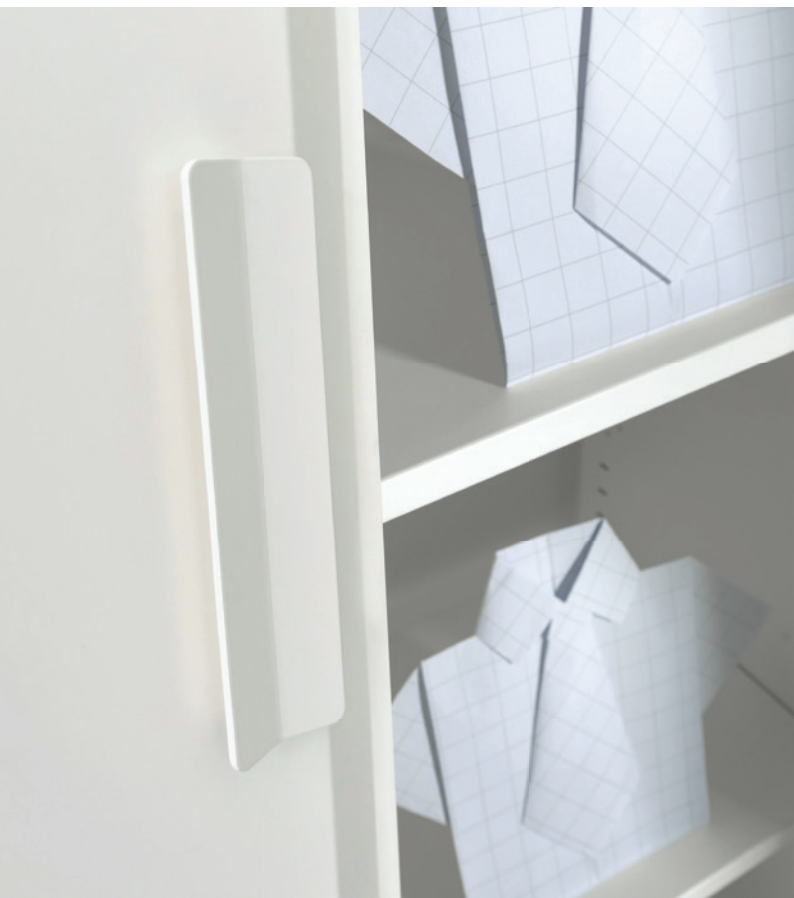
Simple lines enriched by original but  
at the same time functional design  
details.



# PULL&GO

Armadi in metallo / Metal cabinets





# PULL&GO

Armadi in metallo / Metal cabinets



Maniglie in metallo colorato  
Colored metal handles



Porte metallo con angolo a 45°  
Metal doors internal edge shaped at 45°



Ripiani in metallo regolabili  
Adjustable metal shelves



Piede in abs finitura alluminio  
Abs foot aluminum finish

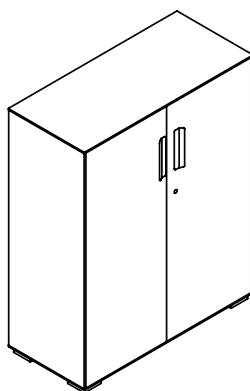
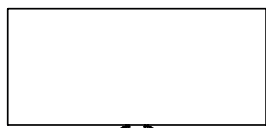
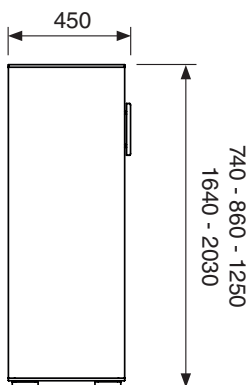
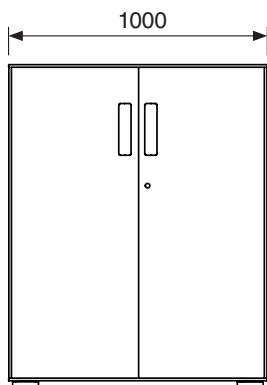


# PULL&GO

Armadi in metallo / Metal cabinets

Armadi in metallo a porte battenti con dettaglio fine porta a 45° e cornice esterna da 10 mm. Disponibili con maniglie in metallo colorate.

Metal cabinet with hinged doors with fine 45° door detail and 10 mm external frame. Available with colored metal handles.



## COLORI STRUTTURE / METAL COLOR



Alluminio  
Alluminium  
260/m



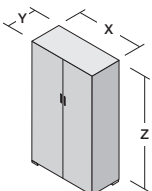
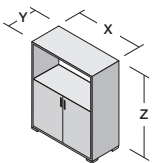
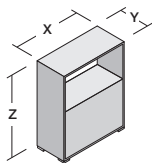
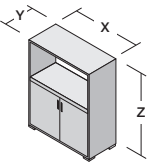
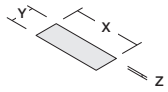
Antracite  
Anthracite  
8301



Bianco opaco  
Matt White  
9010



**PULL&GO** COLLECTION  
(ARMADI IN METALLO/METAL CABINETS/ARMOIRES MÉTALLIQUE/ARMARIOS METALICO)

<p>ARMADIO A PORTE BATTENTI HINGED DOOR CABINET ARMOIRE PORTES BATTANTES ARMARIO PUERTAS BATIENTES</p>	<p>ARMADIO A 2 LIVELLI CON PORTE BATTENTI HINGED DOOR CABINET 2 LEVELS ARMOIRE 2 NIVEAUX AVEC PORTES BATTANTES ARMARIO 2 NIVELES PUERTAS BATIENTES</p>	<p>ARMADIO PREDISPOSTO PER ATTACCO TRAVI (RETRO) HINGED PREPARED FOR BEAMS ATTACK (BACK) ARMOIRE DISPOSÉE POUR ATT. POUTRES (ARRIÈRE) ARMARIO PREPARADO PARA CONNEXION TRAVESEROS (RETRO)</p>																																																								
<table border="1"> <thead> <tr> <th>X</th> <th>Y</th> <th>Z</th> <th>€</th> </tr> </thead> <tbody> <tr> <td>1000</td> <td>450</td> <td>740</td> <td>502</td> </tr> <tr> <td>1000</td> <td>450</td> <td>860</td> <td>556</td> </tr> <tr> <td>1000</td> <td>450</td> <td>1250</td> <td>700</td> </tr> <tr> <td>1000</td> <td>450</td> <td>1640</td> <td>803</td> </tr> <tr> <td>1000</td> <td>450</td> <td>2030</td> <td>969</td> </tr> </tbody> </table> 	X	Y	Z	€	1000	450	740	502	1000	450	860	556	1000	450	1250	700	1000	450	1640	803	1000	450	2030	969	<table border="1"> <thead> <tr> <th>X</th> <th>Y</th> <th>Z</th> <th>€</th> </tr> </thead> <tbody> <tr> <td>1000</td> <td>450</td> <td>1250</td> <td>625</td> </tr> <tr> <td>1000</td> <td>450</td> <td>1640</td> <td>703</td> </tr> <tr> <td>1000</td> <td>450</td> <td>2030</td> <td>727</td> </tr> </tbody> </table> 	X	Y	Z	€	1000	450	1250	625	1000	450	1640	703	1000	450	2030	727	<table border="1"> <thead> <tr> <th>X</th> <th>Y</th> <th>Z</th> <th>€</th> </tr> </thead> <tbody> <tr> <td>1000</td> <td>450</td> <td>1250</td> <td>668</td> </tr> <tr> <td>1000</td> <td>450</td> <td>1640</td> <td>746</td> </tr> <tr> <td>1000</td> <td>450</td> <td>2030</td> <td>770</td> </tr> </tbody> </table> 	X	Y	Z	€	1000	450	1250	668	1000	450	1640	746	1000	450	2030	770
X	Y	Z	€																																																							
1000	450	740	502																																																							
1000	450	860	556																																																							
1000	450	1250	700																																																							
1000	450	1640	803																																																							
1000	450	2030	969																																																							
X	Y	Z	€																																																							
1000	450	1250	625																																																							
1000	450	1640	703																																																							
1000	450	2030	727																																																							
X	Y	Z	€																																																							
1000	450	1250	668																																																							
1000	450	1640	746																																																							
1000	450	2030	770																																																							
<p>ARMADIO PREDISPOSTO PER ATTACCO TRAVI (FRONTE) HINGED PREPARED FOR BEAMS ATTACK (FRONT) ARMOIRE DISPOSÉE POUR ATT. POUTRES (DEVANT) ARMARIO 2 NIVELES PREPARADO PARA CONNEXION TRAVESEROS (FRENTE)</p>	<p>RIPIANO IN METALLO METAL SHELF TABLETTE MÉTALLIQUE ESTANTE METALICO</p>																																																									
<table border="1"> <thead> <tr> <th>X</th> <th>Y</th> <th>Z</th> <th>€</th> </tr> </thead> <tbody> <tr> <td>1000</td> <td>450</td> <td>1250</td> <td>678</td> </tr> <tr> <td>1000</td> <td>450</td> <td>1640</td> <td>736</td> </tr> <tr> <td>1000</td> <td>450</td> <td>2030</td> <td>773</td> </tr> </tbody> </table> 	X	Y	Z	€	1000	450	1250	678	1000	450	1640	736	1000	450	2030	773	<table border="1"> <thead> <tr> <th>X</th> <th>Y</th> <th>Z</th> <th>€</th> </tr> </thead> <tbody> <tr> <td>1000</td> <td>355</td> <td>25</td> <td>27</td> </tr> </tbody> </table> 	X	Y	Z	€	1000	355	25	27																																	
X	Y	Z	€																																																							
1000	450	1250	678																																																							
1000	450	1640	736																																																							
1000	450	2030	773																																																							
X	Y	Z	€																																																							
1000	355	25	27																																																							



# PULL&GO

Armadi in metallo / Metal cabinets



Progettare senza pensieri  
Design without worries





# Delka



Delka S.r.l.  
Via Crevada, 63  
31020 Refrontolo (TV)  
Tel +39 0438 435535  
Fax +39 0438 439798  
[www.delka.it](http://www.delka.it)  
[info@delka.it](mailto:info@delka.it)